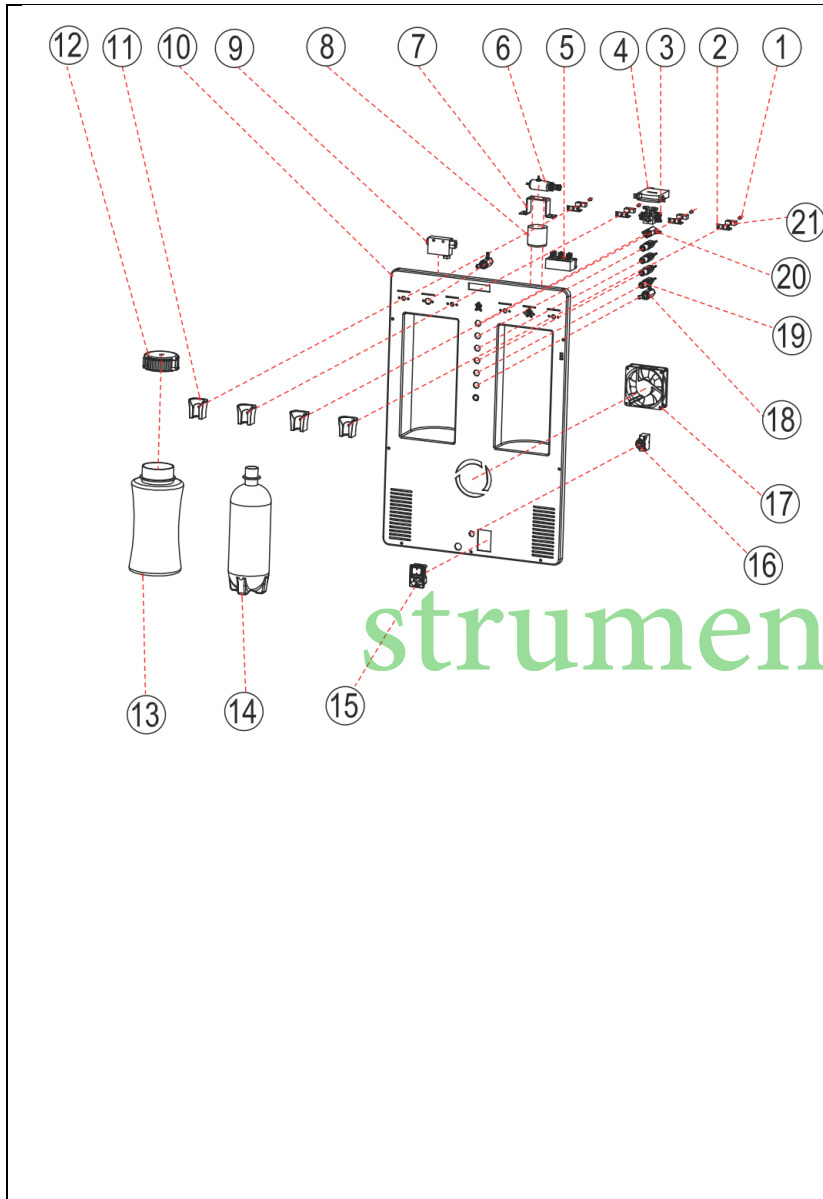
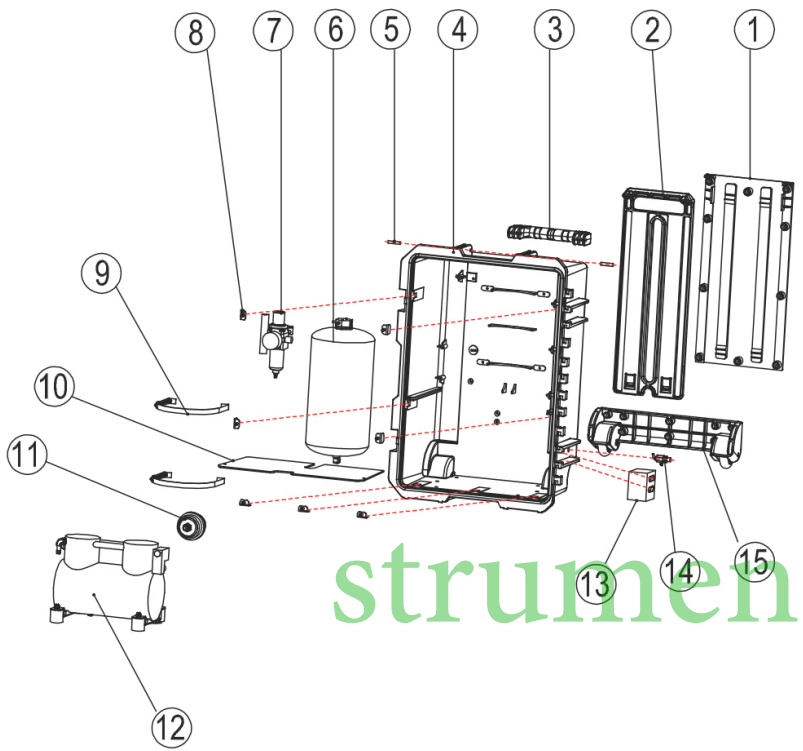


## PC2630 Parts List



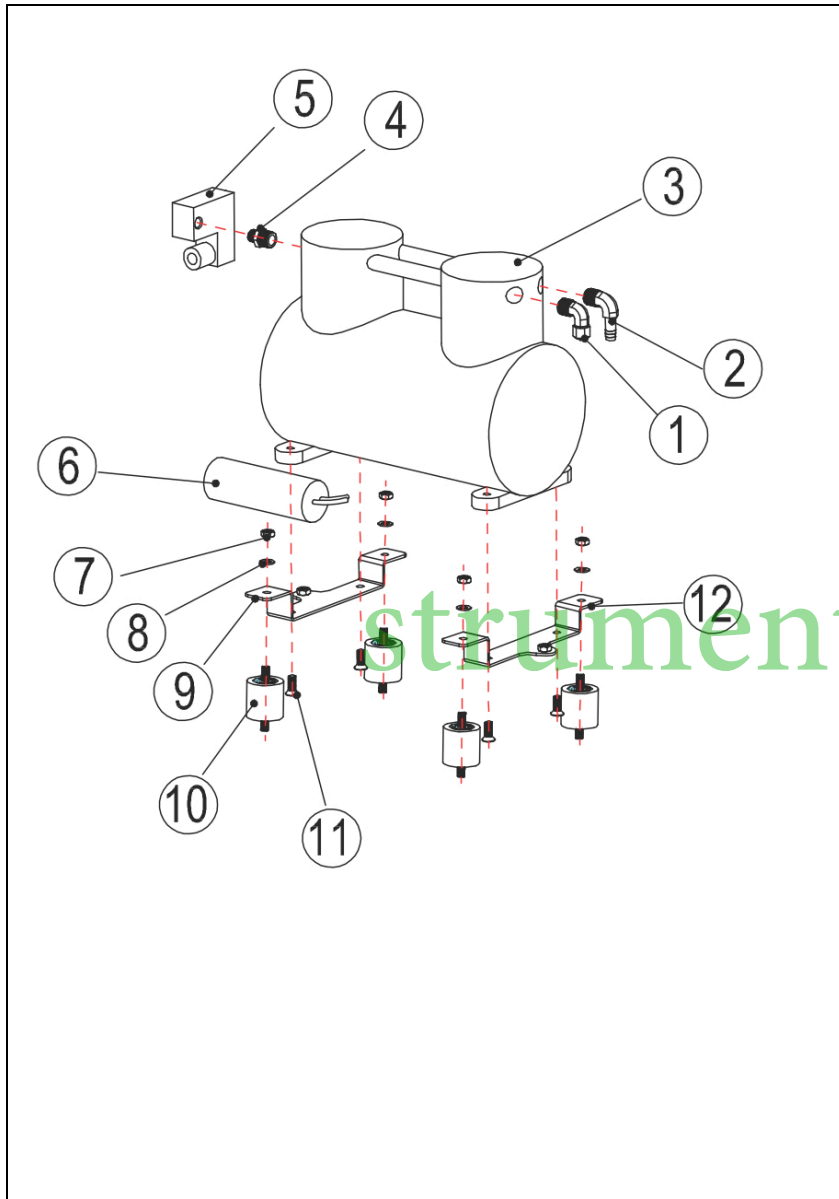
Number	Description	Part Number
1	HP Switch extension (2930) model only	PC-25-P26
2	Switch Bracket (2930) model only	PC-25-P27
3	Distribution Block	PC-P2106-M4
4	Pressure Gauge	PC-P2016
5	Water Relay	PC-P2023
6	Mini Pressure Regulator	PC-2630N-RP1
7	Bottle Cap Bracket	NA
8	Bottle Cap	PC-P2105
9	Air Venturi Valve	PC-2630-P001
10	Front Control Cover	PC-P2203
11	Handpiece Holder	PCP-N-RP1
12	Waste Bottle Cap	Included with PN 13.
13	Waste Bottle	PC-2630N-SWC
14	Clean Water Bottle 750ml	PC-P2107
15	On / Off Receptacle	PC-P2005C-N
16	Resettable Fuse	PC-P2027-10
17	Cooling Fan	PC-P2006
18	Routing Valve (PC-2630) Model only	PC-P2104
19	Flow Control Needle Valve	52007
20	ON/Off toggle (Bottle System)	52010
21	Switch (PC-2930) model only	NA
22	HP tubing 5'	52036
23	Syringe Tubing 5'	52038
24	Saliva Ejector Tubing per ft.	2000-SETUBING
25	Foot Control	53117
26	3-Way Syringe	TPC3-WAY

## PC2630 Parts List



The diagram shows an exploded view of the PC2630 device. The components are numbered 1 through 15. A large green watermark 'strumentidentali.it' is overlaid on the diagram.

Number	Description	Part Number
1	Back Support Plate	
2	Pull Handle	PC-P1004
3	Handle	PC-P2204
4	Back Case	PC-P2204-P
5	Handle Pin	
6	Tank w/ Check Valve	PC-P1003
7	Master Regulator W/ Separator	PC-P2630N-P2004
8	Mounting bracket	
9	Tank Strap	
10	Separator Plate	
11	Air Filter	PC-P2014
12	Motor W/ Start Cap 110V	PC-P1001
13	Door Latch	
14	Drain Valve	PC-P2017
15	Wheel assembly	PC-P2202



Number	Description	Part Number
1	90 Degree Elbow C	
2	90 degree elbow T	
3	Motor 110V Complete	PC-P1001
4	Threaded union	
5	Pressure Relif Valve	PC-2630N-PW
6	Capacitor > included w/ Motor	
7	Nut	
8	Washer	
9	Motor Bracket	
10	Rubber Leg	
11	Screw	

strumentidentali.it